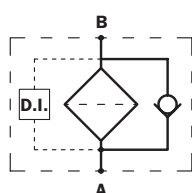
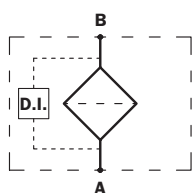


LMP 210



Style S

Style B



Maximum pressure 60 bar
Flow rates to 270 l/min

Filter housing (Materials)

- Head: Aluminium
- Housing: Anodised Aluminium
- Bypass valve: Nylon - Steel

Pressure

- Working pressure: 60 bar (6 MPa)
- Test pressure: 90 bar (9 MPa)
- Burst pressure: 180 bar (18 MPa)
- Pulsed pressure fatigue test: 1.000.000 cycles with pressure from 0 to 60 bar (6 MPa)

Temperature

- From -25 °C to +110 °C

Bypass valve

- Opening pressure 3.5 bar \pm 10%
- Other opening pressures on request.

Δp Elements type

- Series N and W elements: 20 bar
- Oil flow from exterior to interior.

Seals

- Standard NBR series A
- Optional FPM series V

Weights (kg)

Length

- LMP210 -1 3.5
- LMP210 -2 4.4
- LMP210 -3 5.4

Volumes (dm³)

Length

- LMP210 -1 1.5
- LMP210 -2 2
- LMP210 -3 2.7

Connections

In-Line Inlet-Outlet LMP 210

Compatibility (to ISO 2943)

- Housings compatible with:
 - Mineral oils, synthetic fluids.
 - Aqueous emulsions, water and glycol (series W required).
- The filter elements are compatible with:
 - Mineral oils, synthetic fluids.
 - Aqueous emulsions, water and glycol (series W required).
- NBR seals series A, compatible with:
 - Mineral oils, synthetic fluids, aqueous emulsions and water and glycol.
- FPM seals series V, compatible with:
 - Synthetic fluids type HS-HFDR-HFDS-HFDU

Filter Element Area

Filter element in stainless steel mesh

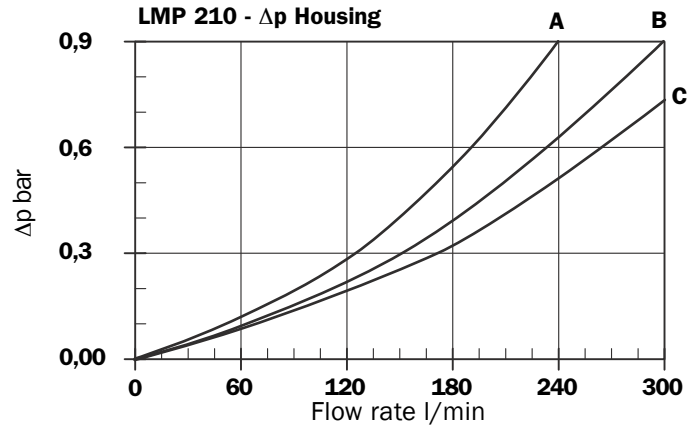
Length

Type	1	2	3
CU 210	3100	4950	7520
Values expressed in cm²			

Filter housing Δp pressure drop

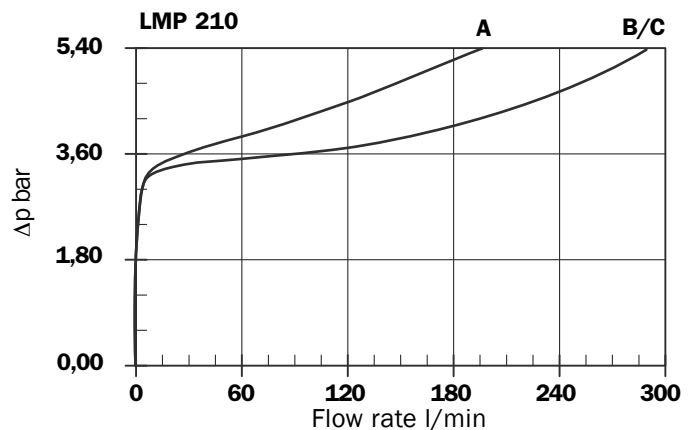
The curves are plotted utilising mineral oil with density of 0.86 kg/dm³ to ISO 3968.

Δp varies proportionally with density.



Valves

Bypass valve pressure drop



Connection referring to graphic pressure drop

Type	Connection (dimension page 38)
A	G1 - G4 - G7 - F1 - F4
B	G2 - G5 - G8 - F2 - F5
C	G3 - G6 - G9 - F3 - F6

Recommended maximum flow rate

- Pressure drop of filter assembly equal to Δp 0.6 bar.
- Oil kinematic viscosity 30 mm²/s (cSt).
- Density 0.86 kg/dm³.
- Connections of filter under test G 3".

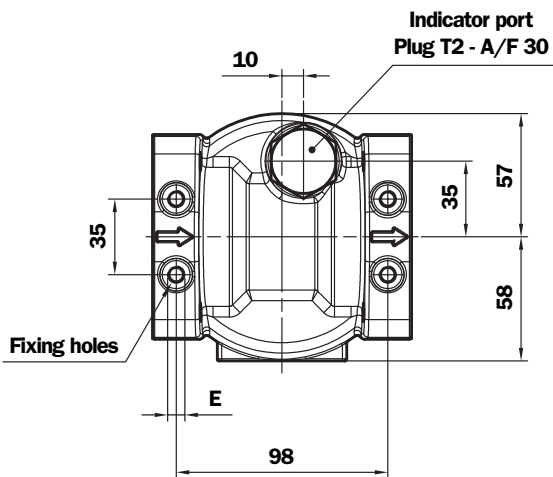
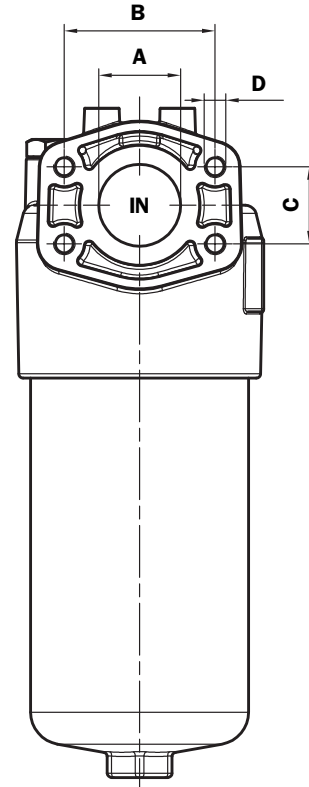
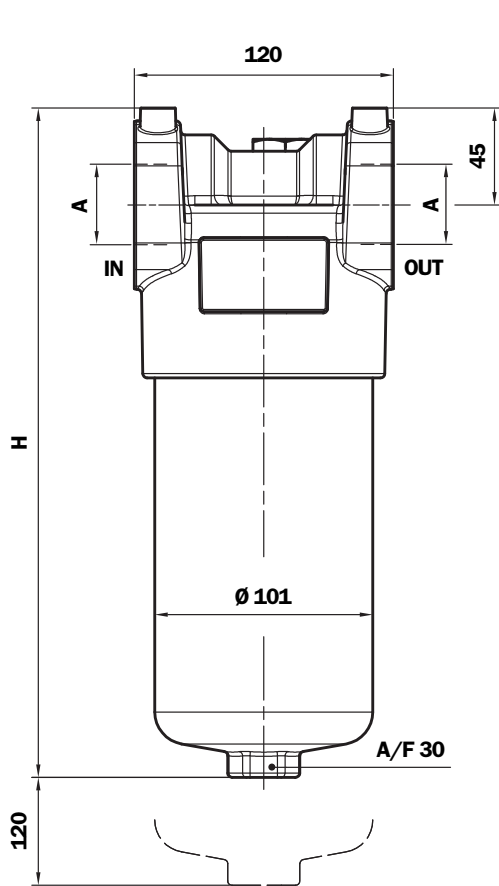
Filtration

Leng.	A03	A06	A10	A16	A25	P10	P25	M25	
LMP 210	1	98	120	175	185	208	245	250	265
	2	140	162	205	225	235	250	255	270
	3	190	200	235	245	250	260	268	270

Flow rate l/min

Dimensions

LMP 210



LMP 210

Length Filter	H mm
1	360
2	492
3	630

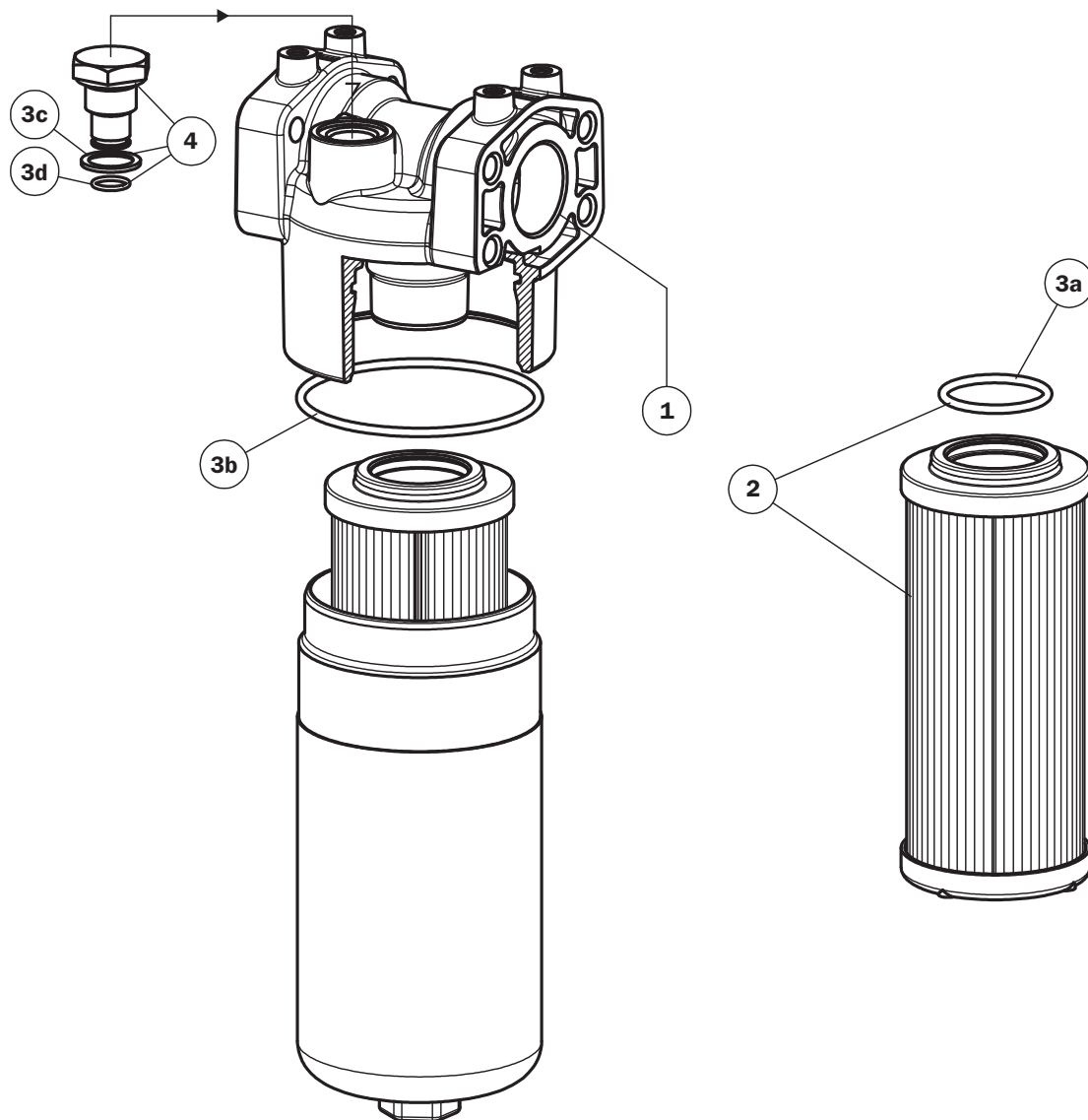
Flanged connections

St.	A	B	C	D	E Depth 12 mm
F1	1" SAE - 3000 psi/M	52,4	26,2	M10	M8
F2	1 1/4" SAE - 3000 psi/M	58,7	30,2	M10	M8
F3	1 1/2" SAE - 3000 psi/M	70	35,7	M12	M8
F4	1" SAE - 3000 psi/UNC	52,4	26,2	3/8" UNC	5/16" UNC
F5	1 1/4" SAE - 3000 psi/UNC	58,7	30,2	7/16" UNC	5/16" UNC
F6	1 1/2" SAE - 3000 psi/UNC	70	35,7	1/2" UNC	5/16" UNC

Thread connections

St.	A	E Depth 12 mm
G1	G 1"	M8
G2	G 1 1/4"	M8
G3	G 1 1/2"	M8
G4	1" NPT	5/16" UNC
G5	1 1/4" NPT	5/16" UNC
G6	1 1/2" NPT	5/16" UNC
G7	SAE 16 - 1 1/16" - 12 UN	5/16" UNC
G8	SAE 20 - 1 5/8" - 12 UN	5/16" UNC
G9	SAE 24 - 1 7/8" - 12 UN	5/16" UNC

Spare parts



Item	Description	Q.ty	FILTER Series LMP 210	
1	Filter assembly	1	See order table	
2	Filter element	1	See order table	
3	Seals kit	1	NBR 02050435	FPM 02050436
3a	O-Ring filter element	1	O-R 144 Ø 39,69 x 3,53	
3b	O-Ring housing	1	O-R 4375 Ø 94,84 x 3,53	
3c	Seal for indicator	1	01030058	01030046
3d	O-Ring for indicator	2	O-R 2050 Ø 12,42 x 1,78	
4	Indicator connection plug	1	T2H	T2V
-	Indicators	1	See order table	

Ordering information LMP 210

Filter assembly LMP210

Example: LMP210

2	3	4	5	6	7	8
<input type="checkbox"/>	<input type="checkbox"/>	<input type="checkbox"/>	<input type="checkbox"/>	<input type="checkbox"/>	<input type="checkbox"/>	<input type="checkbox"/>
2	B	A	G3	A10	N	P01

Filter element CU210

Example: CU210

2	6	4	7	8
<input type="checkbox"/>	<input type="checkbox"/>	<input type="checkbox"/>	<input type="checkbox"/>	<input type="checkbox"/>
2	A10	A	N	P01

1 - Style

Filter	Filter element
210	210

2 - Filter length

1
2
3

3 - Valve

S	Without by-pass
B	With bypass
<input type="checkbox"/>	With by-pass Opening pressure: on request

4 - Filter seals

A	NBR
V	FPM
W	NBR (Compatible with fluid HFA, HFB, HFC)
<input type="checkbox"/>	On request

5 - Connections

Threaded

Type	LMP 210
G1	G 1"
G2	G 1 1/4"
G3	G 1 1/2"
G4	1" NPT
G5	1 1/4" NPT
G6	1 1/2" NPT
G7	SAE 16 - 1 5/16" - 12 UN
G8	SAE 20 - 1 5/8" - 12 UN
G9	SAE 24 - 1 7/8" - 12 UN

Flanged

Type	LMP 210
F1	1" SAE 3000 psi/M
F2	1 1/4" SAE 3000 psi/M
F3	1 1/2" SAE 3000 psi/M
F4	1" SAE 3000 psi/UNC
F5	1 1/4" SAE 3000 psi/UNC
F6	1 1/2" SAE 3000 psi/UNC

6 - Filter element

A01	Inorganic microfibre* 1 μ	} Absolute filtration $\beta_x(c) \geq 1000$
A03	Inorganic microfibre 3 μ	
A06	Inorganic microfibre 6 μ	
A10	Inorganic microfibre 10 μ	
A16	Inorganic microfibre 16 μ	
A25	Inorganic microfibre 25 μ	

* On request

M25	Wire mesh	} Nominal Filtration
M60	Wire mesh	
M90	Wire mesh	

P10	Resin impregnated paper	} Nominal Filtration
P25	Resin impregnated paper	

7 - Max filter element differential pressure

N	Δp 20 bar
----------	-------------------

8 - Option

P01	MP Filtri standard
------------	--------------------

DIFFERENTIAL INDICATORS (see page 120)

MP Filtri - The filter functions as described in this bulletin are valid exclusively for original MP Filtri filter elements and replacement parts. All rights reserved

The data in this publication are purely guideline. MP Filtri reserves the right to make changes to the models described herein at any time it deems fit in relation to technical or commercial requirements. The colours of the products shown on the cover are purely guideline. Copyright. All rights reserved.