

OIL FILLER AND AIR BREATHER FILLER CAPS



The complete series of oil filter and breather filler caps makes it possible to meet all market demands.

Metal and plastic styles suitable for use on mobile equipment are available.

Filler caps perform a dual function, air filtration at the tank inlet and prefiltration of the fluid by means of the basket, in order to prevent the ingress of foreign material into the tank during filling and top-up operations.

Correct operation of breather filters makes for longer life of the filter cartridges installed in the hydraulic circuit, and in applications where high level of contamination are present.

Temperature

- from -25 °C to +100 °C

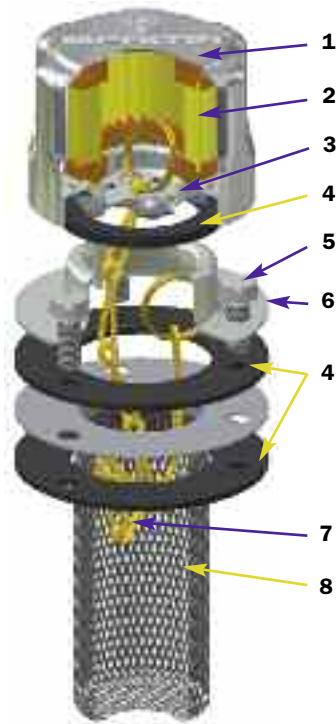
Compatibility

- NBR seals and Cork Gasket, compatible with:
Mineral oils to ISO 2943 - aqueous emulsions
Synthetic fluids, glycol water.
- FPM seals, compatible with:
Synthetic fluids type HS-HFDR-HFDS-HFDU.

Metal oil filler and air breather filler caps

Series TA 46

Dimensions



TA46 B (Materials)

- 1 - Cover: Chrome Plated Steel
- 2 - Filter element: Impregnated paper
- 3 - 6 - Flange: Galvanised Steel
- 4 - Seals: NBR
Cork Gasket
- 5 - Screws: Galvanised Steel
- 7 - Chain, ring: Brass
- 8 - Basket: Galvanised Steel

Flow rates with Δp : 0,02 bar

Filtration	l/min
3 μm	150
10 μm	200

Weight

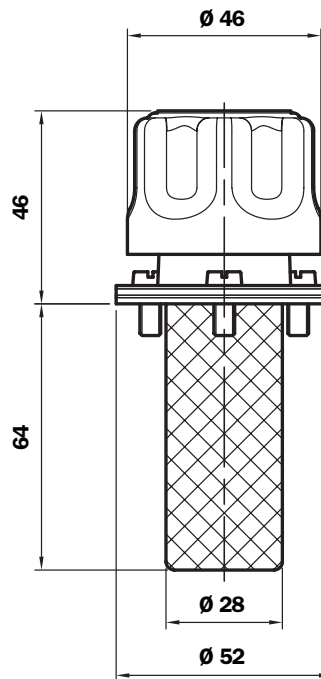
TA 46: 0,100 kg

TA 46 B

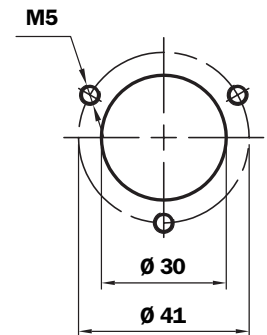
Bayonet connection
Non-removable strainer



Bayonet connection



Reservoir holes

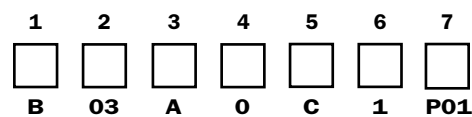


Ordering information

Filler cap

TA46

Example: TA46



1 - Connection to reservoir

B Flange with bayonet connection

2 - Filter element

03 3 μm - Impregnated paper
10 10 μm - Impregnated paper

3 - Seal

A NBR
B Cork gasket

4 - Valves

0 Without valves

5 - Variants

0 Standard
C With chain

6 - Basket

0 Without
1 L= 65 mm

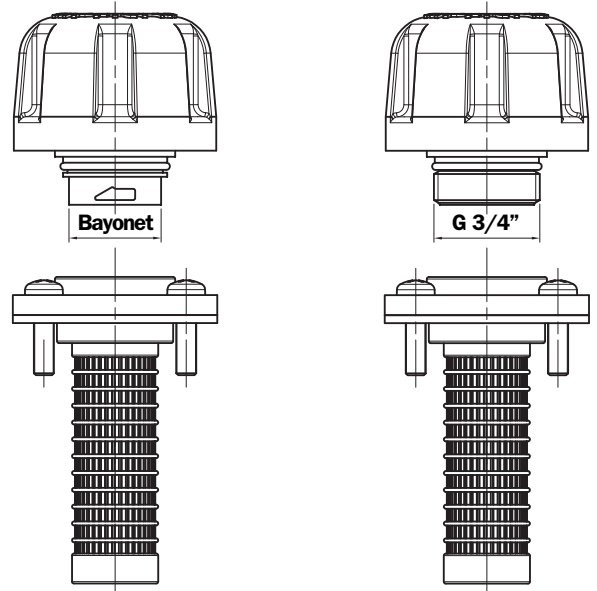
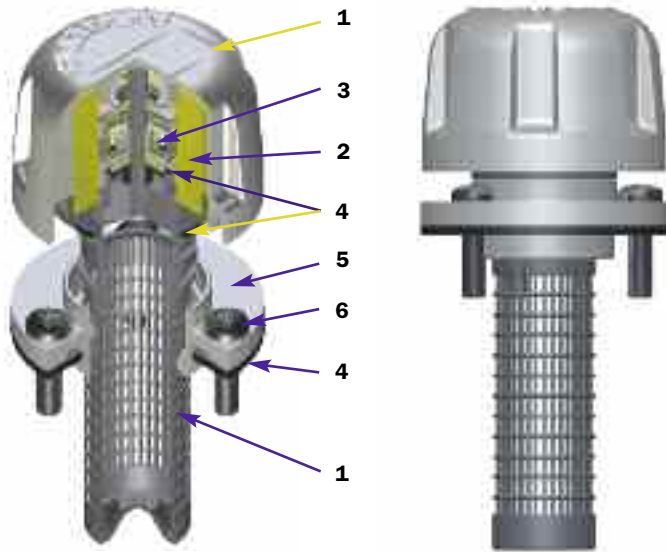
7 - Options

P01 MP Filtri standard

Series TAP 50

Nylon oil filler and air breather filler caps

Dimensions



TAP50 (Materials)

- 1 - Cover/ringnut: Nylon
- 2 - Filter element: Impregnated paper
Polyurethane
- 3 - Pressurisation valve: Nylon
Galvanised Steel
NBR
- 4 - Seal: NBR
- 5 - Flange: Nylon
- 6 - Screws: Galvanised Steel
- 7 - Basket: Nylon

Flow rates with Δp : 0,02 bar

Filtration	l/min
10 μ m	202

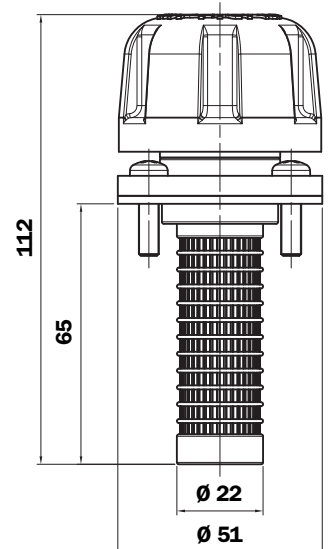
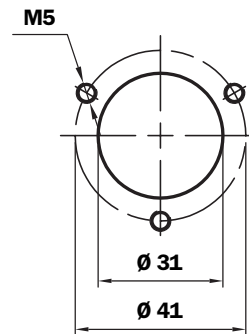
Quantity per pack Number of Parts

TAP50	10
-------	----

Weight

TAP50: 0,060 kg

Reservoir holes



Ordering information

Filler cap

TAP50

Example: TAP50 B 10 A 0 1 P01

1 - Connection to reservoir

- B** Flange with bayonet connection
- C** Flange with bayonet connection G 3/4"

2 - Filter element

- 03** 3 μ m - Impregnated paper
- 10** 10 μ m - Polyurethane

3 - Seal

- A** NBR

4 - Valves

- 0** Without
- 1** 0,5 bar pressurisation valve

5 - Basket

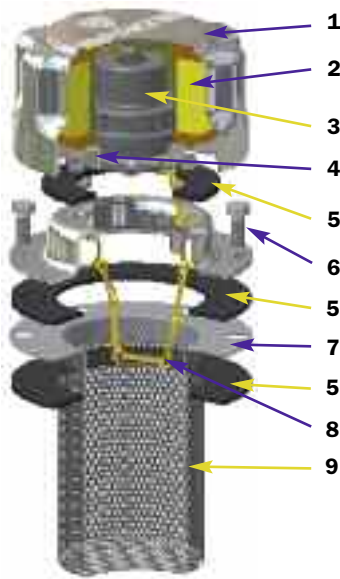
- 1** L= 65 mm

6 - Options

- P01** MP Filtri standard

Series TA 80

Metal oil filler and air breather filler caps



TA80 B/D (Materials)

- 1** - Cover: Chrome Plated Steel
- 2** - Filter element: Impregnated paper
Polyurethane
- 3** - Pressurisation valve:
Bodies: Nylon
- End cap-disk: Galvanised Steel
- Spring: Steel
- Seals: NBR
- 4** - Flange and anti-splash feature: Galvanised Steel
- 5** - Seals: Cork Gasket
NBR
- 6** - Screws: Galvanised Steel
- 7** - Flange: Galvanised Steel
- 8** - Chain, ring: Brass
- 9** - Basket TA80B: Galvanised Steel

Flow rates with Δp : 0,02 bar

Filtration	l/min
3 μ m	450
10 μ m	550

Weight

Strainer L 80 mm:	0,330 Kg
Strainer L 150 mm:	0,350 Kg

TA 80 B

Bayonet connection
Non-removable basket



TA 80 B

Bayonet connection
With Padlock tab



TA 80 D

Bayonet connection
Removable basket



TA80B00....P01

Bayonet connection
Closed filler cap without
filter element



TA80B10....P01

Bayonet connection
Filler cap with filter
element



TA80B03.9..P01

Bayonet connection
Filler cap with anti-splash
feature and filter element



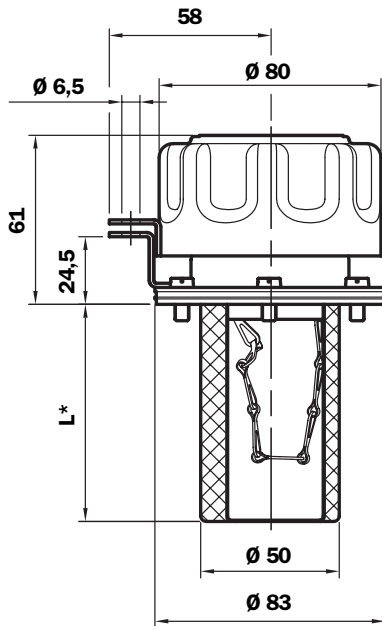
TA80B10.1..P01

Bayonet connection
Filler cap with
pressurisation valve
and filter element

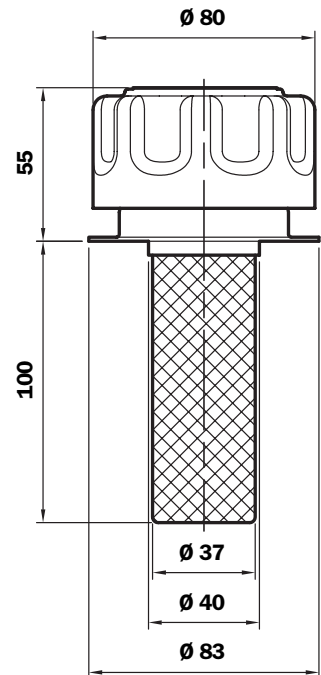


Dimensions

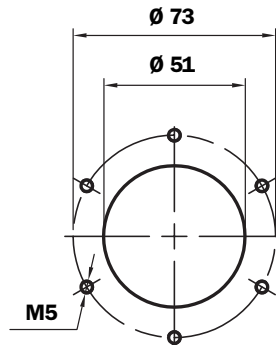
Bayonet connection



Weld flange



Reservoir holes

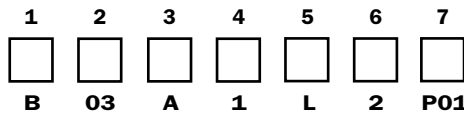


Ordering information

Filler cap

TA80

Example: **TA80**



1 - Connection to reservoir

- B** Flange with bayonet connection
- D** Weld flange

2 - Filter element

- 00** Without filter (Blank filler cap)
- 03** 3 µm - Impregnated paper
- 10** 10 µm - Polyurethane

3 - Seal

- A** NBR
- B** Cork gasket

4 - Valves

- 0** Without
- 1** 0,3 bar pressurisation valve (only with seals NBR)
- 2** 0,7 bar pressurisation valve (only with seals NBR)
- 9** Anti-splash feature (only with filter element 3 µm)

5 - Variants

- 0** Standard
- L** With Padlock tab (B versions only)

6 - Basket

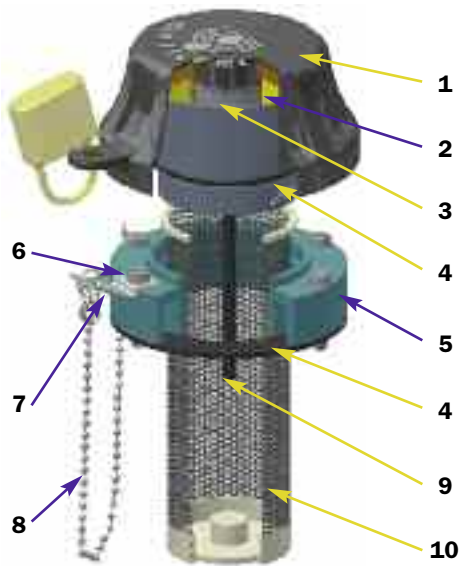
- 0** Without
- 1** *L= 80 mm (B versions only)
- 2** *L= 150 mm (B versions only)
- 3** *L= 100 mm (D versions only)

7 - Options

- P01** MP Filtri standard

Series TAP 90

Nylon oil filler and air breather filler caps



TAP90 (Materials)

- 1 - Cover/ringnut: Nylon
- 2 - Filter element: Impregnated paper
Polyurethane
- 3 - Pressurisation valve: Nylon
Galvanised Steel
NBR
- 4 - Seal: NBR
- 5 - Flange B: Nylon
- 6 - Screws: Galvanised Steel
- 7 - Padlock tab: Galvanised Steel
- 8 - Chain, ring: Brass
- 9 - Dipstick: Phosphated Steel
- 10 - Basket: Galvanised Steel/Nylon

Flow rate with Δp : 0,02 bar

Filtration	l/min
3 μ m	450
10 μ m	550

Weight

Basket L 120 mm:	0,250 Kg
Basket L 250 mm:	0,310 Kg

TAP90 B.....
Flange with
bayonet connection



External chain

TAP90 R.....
Flange with
M52x2 connection



Internal chain

TAP90 F.....
Flange with spigot
DIN 24557 Connection
M52x2



Internal chain

TAP90 C.....
Weld riser
Connection M52x2



Weld riser in
Galvanised Steel,
internal chain

TAP90 B-C-R-F
With dipstick



TAP90 B-C-R-F
Closed filler cap without
filter element



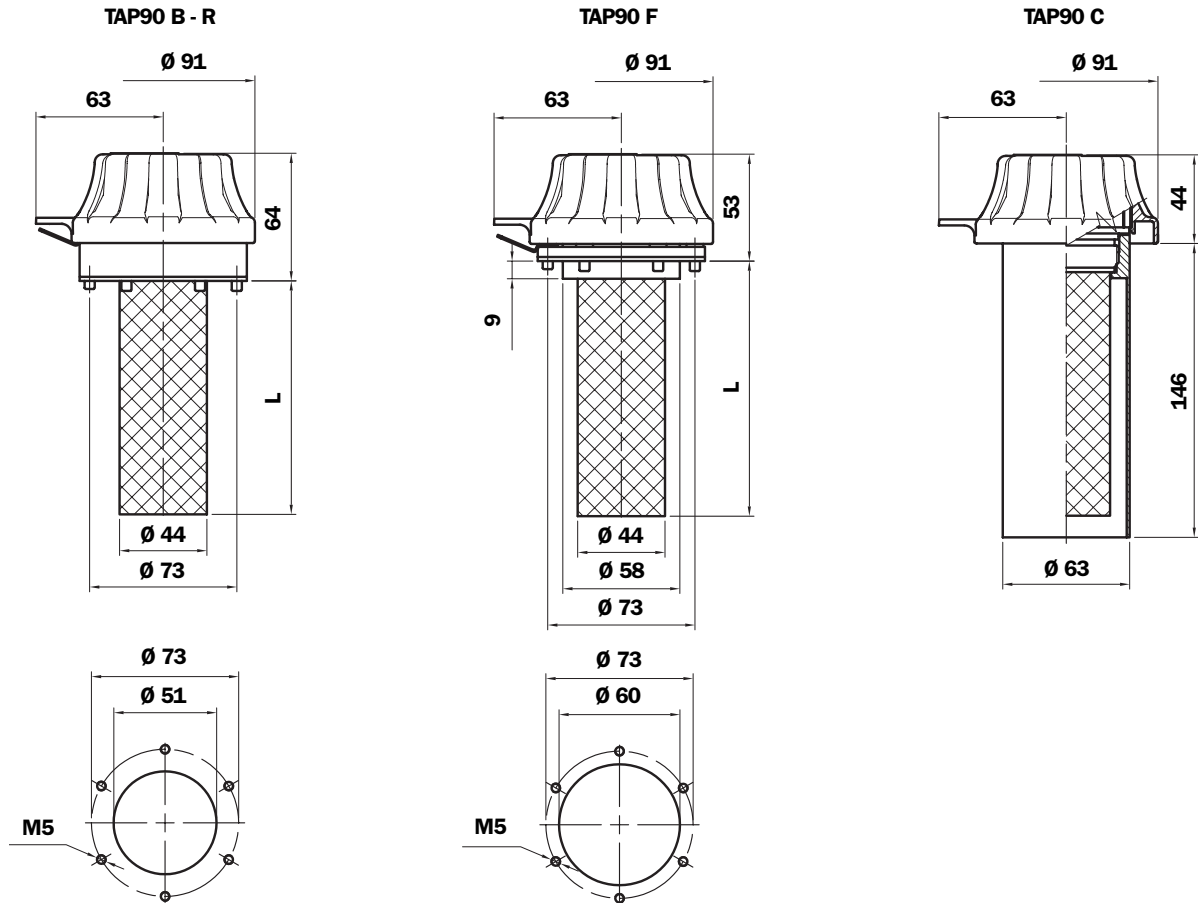
TAP90 B-C-R-F
Filler cap with filter
element



TAP90 B-C-R-F
Filler cap with
pressurisation valve

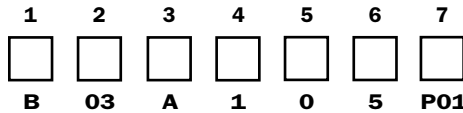


Dimensions



Ordering information

Filler cap
TAP90
Example: TAP90



1 - Connection to reservoir

- B** Flange with bayonet connection
- C** Weld riser (M52X2 version only)
- F** Flange with threaded M52x2 connection Spigot $\varnothing 60$ (DIN 24557)
- R** Flange with M52X2 threaded connection

2 - Filter element

- 00** Without filter (Blank filler cap)
- 03** 3 μ m - Impregnated paper
- 10** 10 μ m - Polyurethane

3 - Seal

- A** NBR

4 - Valves

- 0** Without
- 1** 0.3 bar pressurisation valve
- 2** 0.7 bar pressurisation valve

5 - Variantes

- 0** Standard
- L** With Padlock tab
- A** With Dipstick
- C** With Chain external for connection **B**
With Chain internal for connection **C-F-R** (with basket only)
- D** With Padlock tab and chain external for connection **B**
With Padlock tab and chain internal for connection **C-F-R** (with basket only)
- E** Dipstick and chain external (only connection **B**)
- F** Dipstick and Padlock tab
- G** Dipstick, Padlock tab and chain external (only connection **B**)

6 - Basket (Stainless steel basket on request)

- 0** Without
- 1** L= 120 mm
- 3** L= 250 mm

In the version with chain the L= 120 basket features a press fitting.

7 - Options

- P01** MP Filtri standard

Series TAP 114

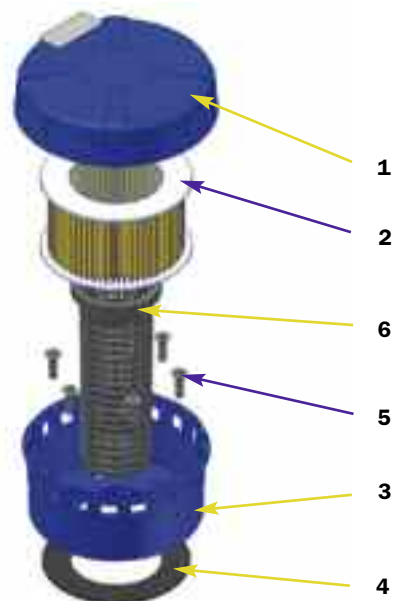
Nylon oil filler and air breather filler caps



**Example
TAP114
Length 1**



**Example
TAP114
Length 2**

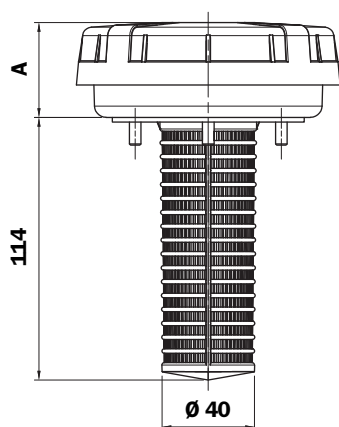


TAP114 (Materials)

- 1 - Cover: Nylon
- 2 - Filter element: Impregnated paper
- 3 - Flange: Nylon
- 4 - Seal: NBR
- 5 - Screws: Galvanised Steel
- 6 - Basket: Nylon

Dimensions

TAP 114



Length	A
1	41
2	56
3	68

Flow rates with Δp : 0,02 bar

Length 1

Filtration	l/min
10 μm	1450

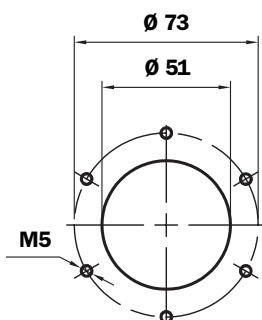
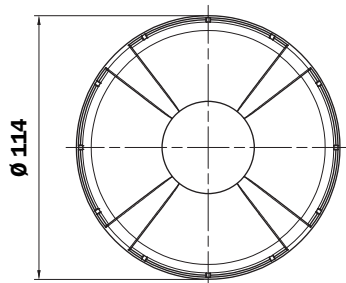
Length 2

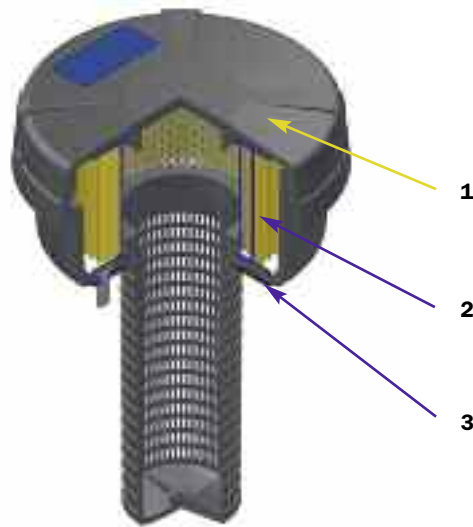
Filtration	l/min
10 μm	1600

Weight

TAP 114 1: 0,185 Kg
TAP 114 2: 0,200 Kg

**Reservoir
holes**





TAP 114 spare parts

Item.	Description	Q.ty	Filler cap series TAP 114	
1	Complete filler cap	1	See order table	
2	Filter Element	1	See order table	
3	Seal	1	NBR 01026306	FPM 01026332

Ordering information

Filler cap
TAP114

1	2	3	4	5
<input type="checkbox"/>	<input type="checkbox"/>	<input type="checkbox"/>	<input type="checkbox"/>	<input type="checkbox"/>

Example: TAP114 3 L10 A 1 P01

Filter element
A114

1	2	3
<input type="checkbox"/>	<input type="checkbox"/>	<input type="checkbox"/>

Example: TAP114 3 L10 P01

1 - Length

1
2
3

2 - Filter element

L10 10 µm - Impregnated paper

3 - Seal

A NBR

4 - Basket

1 L= 114 mm

5 - Options

P01 MP Filtri standard

Series TAP 115

Nylon oil filler and air breather filler caps



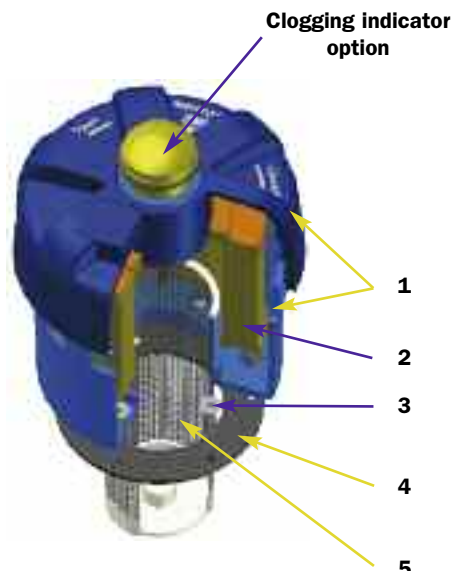
Example
TAP115

Length 1
Without indicator



Example
TAP115

Length 2
With indicator



TAP115 (Materials)

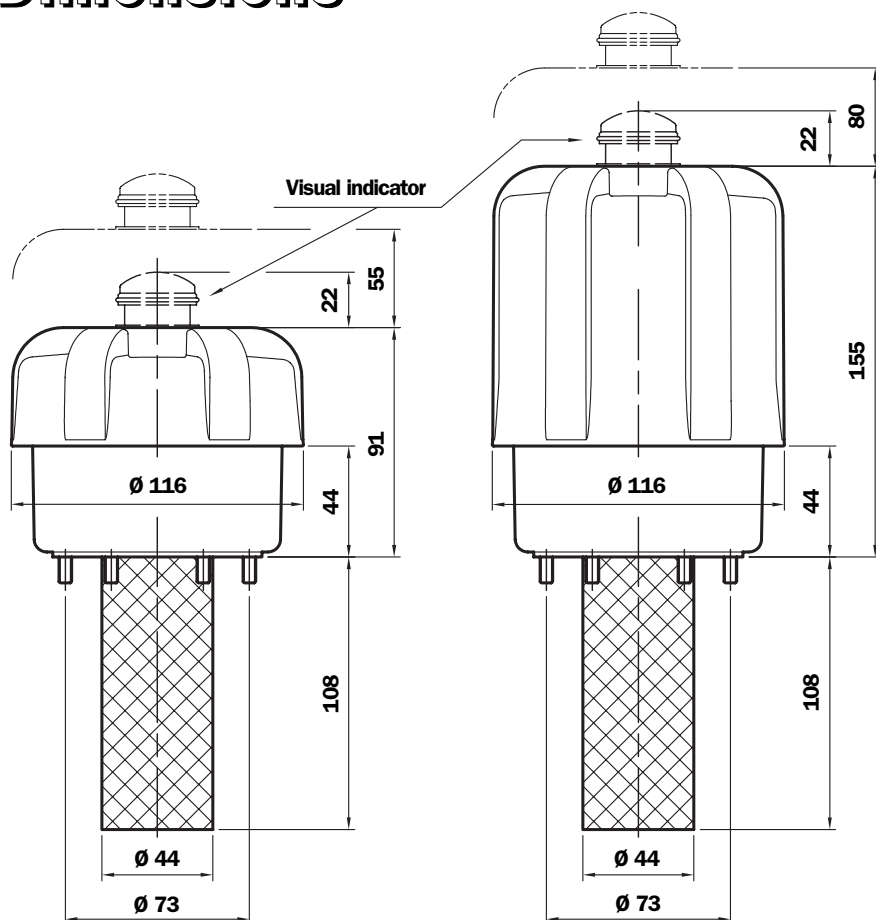
- 1 - Cover/Flange: Nylon
- 2 - Filter element: Microfibre Impregnated paper
- 3 - Seals: NBR
FPM
- 4 - Screws: Galvanised Steel
- 5 - Basket: Galvanised Steel/Nylon

Clogging indicator

Set pressure: - 0,062 bar \pm 10 %

Manual reset

Dimensions



Flow rates with Δp : 0,02 bar

Length 1

Filtration	l/min
3 μ m	1600
10 μ m	2000

Length 2

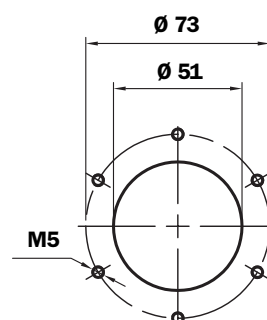
Filtration	l/min
3 μ m	2150
10 μ m	2150

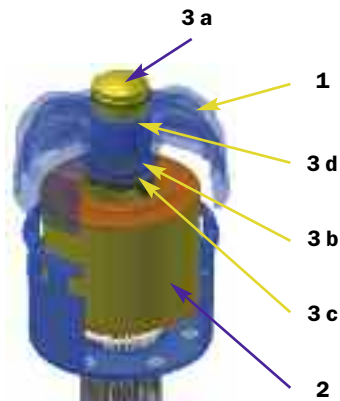
Weight

TAP 115 1: 0,460 Kg

TAP 115 2: 0,585 Kg

Reservoir holes





TAP 115 spare parts

Item.	Description	Q.ty	Filler cap series TAP 115	
1	Complete filler cap	1	See order table	
2	Filter Element	1	See order table	
3	Indicator kit	1	NBR 02005187	FPM 02005188
3a	Visual indicator	1	S62P01	
3b	Seal	1	O-R 3106 Ø 26,64 X 2,62	
3c	Indicator securing screw	1	01022670	
3d	O-R indicator	1	O-R 2112 Ø 28,3 x 1,78	

Changing the filter element in TAP 115 series filler caps

- 1 Thoroughly clean the filler cap and adjacent parts.
- 2 Unscrew and raise the cover.
- 3 Replace the filter element.
- 4 Screw the cover.



Ordering information

Filler cap	1	2	3	4	5	6	7
TAP115	<input type="checkbox"/>	<input type="checkbox"/>	<input type="checkbox"/>	<input type="checkbox"/>	<input type="checkbox"/>	<input type="checkbox"/>	<input type="checkbox"/>
Example: TAP115	2	F	A03	A	1	B	P01
Filter element	1	3	7				
A115	<input type="checkbox"/>	<input type="checkbox"/>	<input type="checkbox"/>				
Example: TAP115	2	A03	P01				

1 - Length

 1
 2

2 - Connection

 F Flange

3 - Filter element

 A03 3 µm - Microfibre
 L10 10 µm - Impregnated paper

4 - Seal

 A NBR
 V FPM

5 - Basket

 0 Without
 1 L= 120 mm

6 - Clogging indicator

 A Without
 B Clogging indicator

7 - Options

 P01 MP Filtri standard

Series TLP 114

Nylon oil filler and air breather filler cap with electrical level indicator



TLP 114 (Materials)

- 1 - Cover: Nylon
- 2 - Filter element: Resin impregnated cellulose
- 3 - Flange: Nylon
- 4 - Basket: Zinc Planted Steel
- 5 - Screws: Zinc Planted Steel
- 6 - Seals: NBR - FPM
- 7 - Level indicator

Level sensor (Materials)

- Flange: Nylon
- Stem: AISI 304
- Float: Nylon

General data

Temperature

- From -15°C to +80°C

Weight

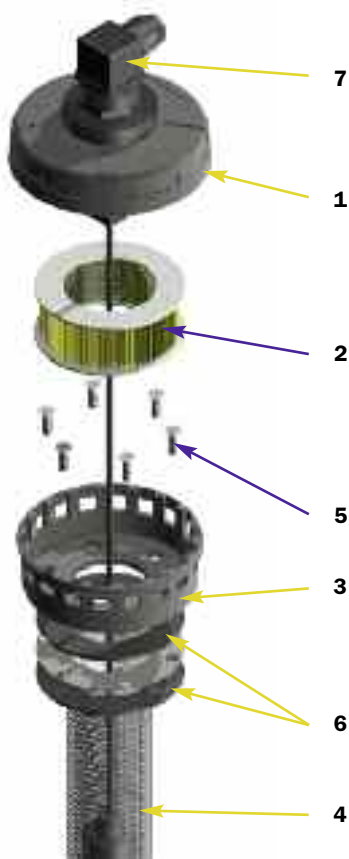
- TLP 114: 650 gr

Compatibility

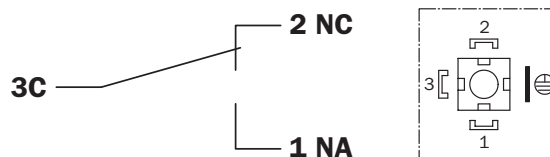
- Mineral/Sintetic oil

Flow rates with Δp : 0,02 bar

Filtration	l/min
10 μm	1450



Connector EN 175301-803 A/ISO 4400



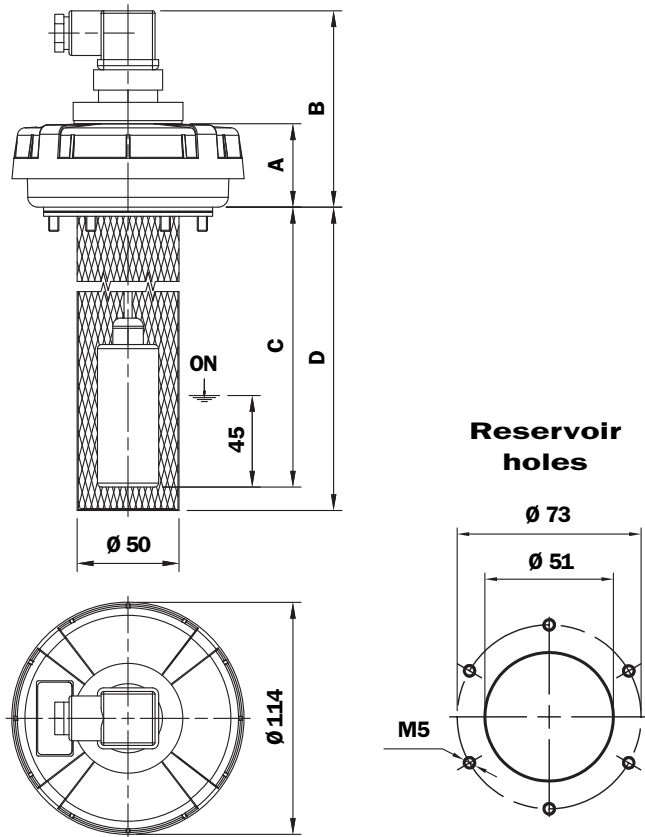
Contact

- SPDT
- Protection degree: IP 65
- Max switchable capacity: 80 W (50 W SPDT)
- Max switchable current: 1 A
- Max switchable voltage: 250 Vac (220 W SPDT)
- Density of fluid: >0,75

Contact

- Ground of level indicator is not connected

Dimensions



Change level sensor length



TLP 114

Length filler cap	A mm	B mm	C mm	D mm
TLP114 1L 10x1P01	41	97	290	302
TLP114 1L 10x2P01	41	97	518	530
TLP114 2L 10x1P01	56	112	275	302
TLP114 2L 10x2P01	56	112	503	530
TLP114 3L 10x1P01	68	124	263	302
TLP114 3L 10x2P01	68	124	491	530

- A) To screw out the nut
- B) To extract the float
- C) To shorten the rod
- D) To re-assemble

Ordering information

Filler cap	1	2	3	4	5	6
TLP	<input type="checkbox"/>	<input type="checkbox"/>	<input type="checkbox"/>	<input type="checkbox"/>	<input type="checkbox"/>	<input type="checkbox"/>
Example: TLP	114	1	L10	A	1	P01
Filter element	1	2	3	6		
A	<input type="checkbox"/>	<input type="checkbox"/>	<input type="checkbox"/>	<input type="checkbox"/>		
Example: TLP	114	1	L10	P01		

1 - Size

114

2 - Length

1
2
3

3 - Filter element

L10 10 µm - Impregnated paper

4 - Seal

A NBR
V FPM

5 - Basket - Level

1 With electric level indicator and basket L= 300 mm
2 With electric level indicator and basket L= 530 mm

6 - Option

P01 MP filtri standard

Series SMF

Nylon angled flange



SMF (Materials)

1 - Flange: Nylon

2 - Seals: NBR

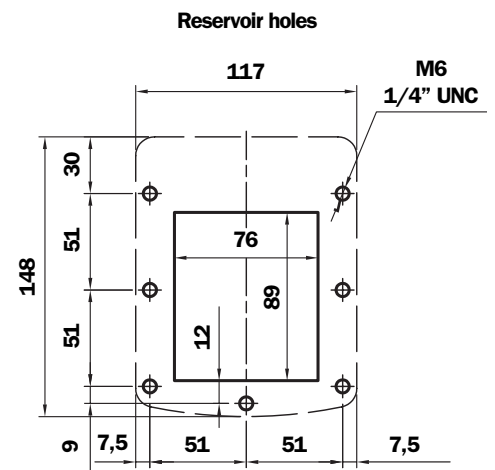
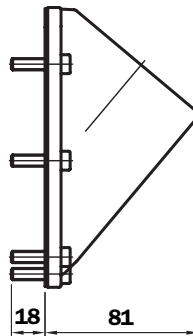
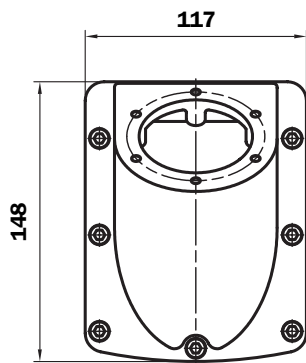
Cork gasket

3 - Screws: Galvanised/Phosphated Steel

Weight

SMF: 0,325 kg

Dimensions



Ordering information

SMF1

1	2	3
□	□	□

Example: SMF 1 **M** **A** **P01**

1 - Connection to reservoir

- M** Fixing with Metric screws
- U** Fixing with UNC screws

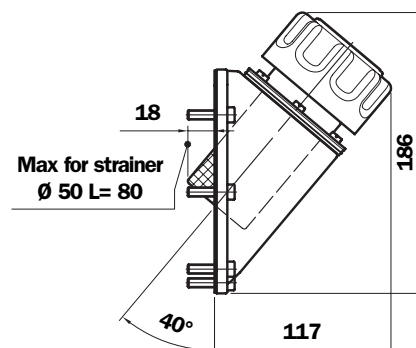
2 - Seal

- A** NBR
- B** Cork gasket

3 - Options

- P01** MP Filtri standard

Dimensions



Flow rate with Δp : 0,02 bar

Filtration	l/min
3 μm	450
10 μm	550

Weight

TAF 80: 0,655 Kg

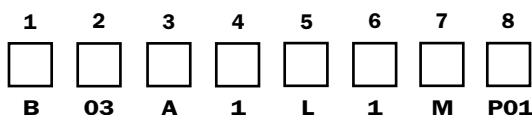
For tank hole see "SMF 1" page 18.

Ordering information

Filler cap

TAF80

Example: TAF80



B 03 A 1 L 1 M P01

1 - Filler cap connection

B Flange with bayonet connection

2 - Filter element

00 Without filter (Blank filler cap)

03 3 μm - Impregnated paper

10 10 μm - Polyurethane

3 - Seal

A NBR

B Cork gasket

4 - Pressurisation valve

0 Without

1 0,3 bar pressurisation valve

2 0,7 bar pressurisation valve

9 Anti-splash feature
(only with filter element 3 μm)

Only with seal NBR

5 - Variants

0 Standard

L With Padlock tab

6 - Basket

0 Without

1 L= 80 mm

7 - Connection to reservoir

M Fixing with Metric screws

U Fixing with UNC screws

8 - Options

P01 MP Filtri standard

Series TAF 90

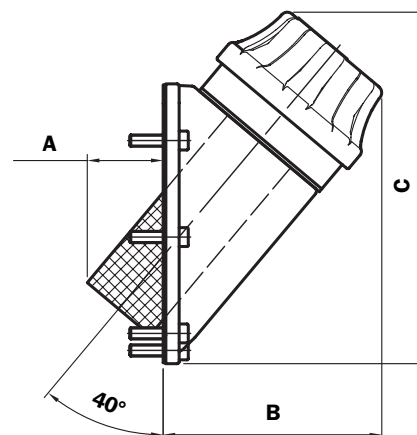
Nylon oil filler and air breather filler caps

Dimensions

TAF 90 ...



TAF 90 B - R - F



Type	A	B	C
TAF90 B - R	40	116	186
TAF90 F	48	109	178

For tank hole see "SMF 1" page 18.

Flow rate with Δp : 0,02 bar

Filtration	l/min
3 μm	450
10 μm	550

Weight

TAF 90: 0,535 Kg

Ordering information

Filler cap	1	2	3	4	5	6	7	8
TAF90	<input type="checkbox"/>	<input type="checkbox"/>	<input type="checkbox"/>	<input type="checkbox"/>	<input type="checkbox"/>	<input type="checkbox"/>	<input type="checkbox"/>	<input type="checkbox"/>
Example: TAF90	B	03	A	1	L	1	M	P01

1 - Filler cap connection

B	Flange with bayonet connection
F	Flange with threaded M52x2 connection Spigot \varnothing 60 (DIN 24557)
R	Flange with threaded connection M52x2

2 - Filter element

00	Without filter (Blank filler cap)
03	3 μm - Impregnated paper
10	10 μm - Polyurethane

3 - Seal

A	NBR
----------	-----

4 - Pressurisation valve

0	Without
1	0,3 bar pressurisation valve
2	0,7 bar pressurisation valve

5 - Variants

0	Standard
L	With Padlock tab
A	With Dipstick
C	With Chain external for connection B With Chain internal for connection F-R (with basket only)
D	With Padlock tab and chain external for connection B With Padlock tab and chain internal for connection F-R (with basket only)

6 - Basket

0	Without
1	L= 120 mm

7 - Connection to reservoir

M	Fixing with Metric screws
U	Fixing with UNC screws

8 - Options

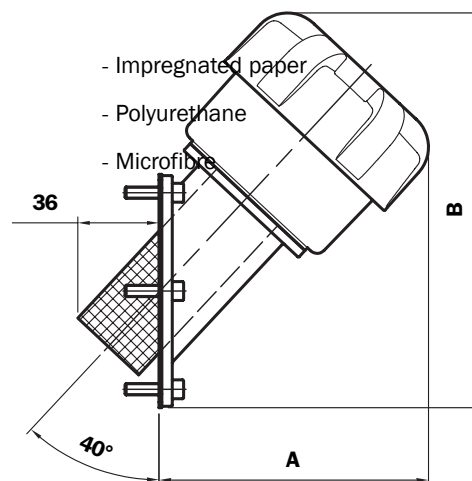
P01	MP Filtri standard
------------	--------------------

Dimensions

TAF 1151 F



TAF 115



Flow rate with Δp : 0,02 bar

Length 1

Filtration	l/min
3 μ m	1600
10 μ m	2000

Weight

TAF 115 1: 0,785 Kg

Length 2

Filtration	l/min
3 μ m	2150
10 μ m	2150

Weight

TAF 115 2: 0,910 Kg

Length	A	B
1	145	216
2	187	266

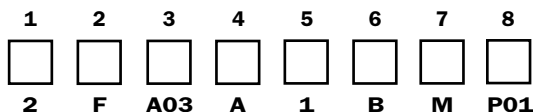
For tank hole see "SMF 1" page 18.

Ordering information

Filler cap

TAF115

Example: TAF115



1 - Filler cap length

- 1
- 2

2 - Connection

- F Flange

3 - Filter element

- A03 3 μ m - Microfibre
- L10 10 μ m - Impregnated paper

4 - Seal

- A NBR
- V FPM

5 - Basket

- 0 Without
- 1 L= 120 mm

6 - Clogging indicator

- A Without
- B Clogging indicator

7 - Connection to reservoir

- M Fixing with Metric screws
- U Fixing with UNC screws

8 - Options

- P01 MP Filtri standard

Series SML

Aluminium angled flange



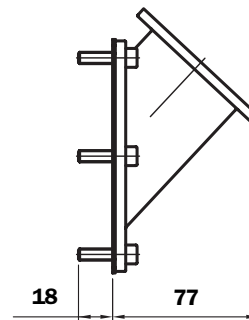
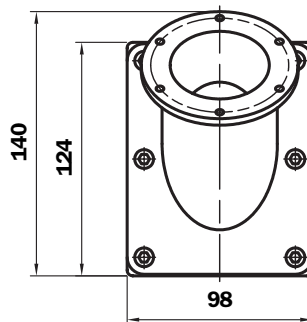
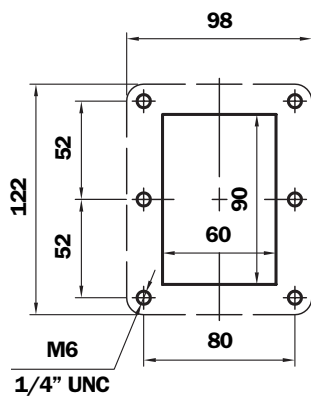
SML (Materials)

- 1** - Flange: Aluminium
- 2** - Screws: Phosphated Steel
- 3** - Seals: NBR
Cork gasket

Weight

SML: 0,380 Kg

Dimensions



Ordering information

SML1

Example: SML 1 **1** **2** **3**
 M **A** **P01**

1 - Connection to reservoir

- M** Fixing with Metric screws
- U** Fixing with UNC screws

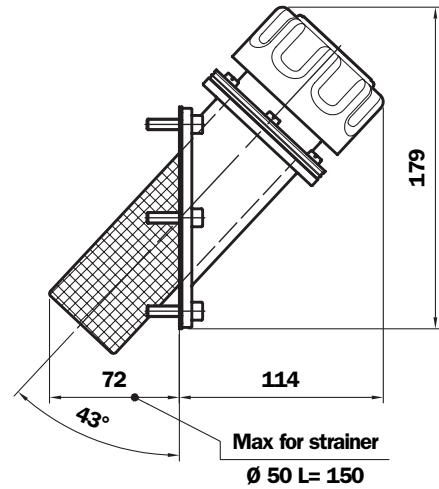
2 - Seal

- A** NBR
- B** Cork gasket

3 - Options

- P01** MP Filtri standard

Dimensions



Flow rate with Δp : 0,02 bar

Filtration	l/min
3 μm	450
10 μm	550

Weight

TAL 80 1: 0,710 Kg

For tank hole see "SML 1" page 22.

Ordering information

Filler cap TAL80

Example: TAL80 **B 03 A 1 L 1 M P01**

1 - Filler cap connection

B Flange with bayonet connection

2 - Filter element

00 Without filter (Blank filler cap)

03 3 μm - Impregnated paper

10 10 μm - Polyurethane

3 - Seal

A NBR

B Cork gasket

4 - Pressurisation valve

0 Without

1 0,3 bar pressurisation valve

2 0,7 bar pressurisation valve

9 Anti-splash feature (only with filter element 3 μm)

Only with seal NBR

5 - Variants

0 Standard

L With Padlock tab

6 - Basket

0 Without

1 L= 80 mm

7 - Connection to reservoir

M Fixing with Metric screws

U Fixing with UNC screws

8 - Options

P01 MP Filtri standard

Series TAL 90

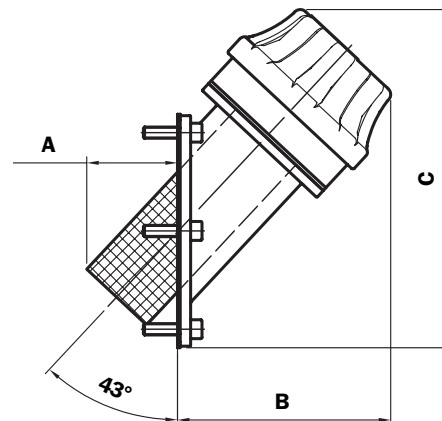
Nylon oil filler and air breather filler caps

Dimensions

TAL 90 ...



TAL 90 B - R - F



Flow rate with Δp : 0,02 bar

Filtration	l/min
3 μ m	450
10 μ m	550

Weight

TAL 90: 0,560 Kg

Type	A	B	C
TAL90 B - R	48	113	179
TAL90 F	56	105	171

For tank hole see "SMF 1" page 18.

Ordering information

Filler cap

TAL90

Example: TAL90

1	2	3	4	5	6	7	8
<input type="checkbox"/>	<input type="checkbox"/>	<input type="checkbox"/>	<input type="checkbox"/>	<input type="checkbox"/>	<input type="checkbox"/>	<input type="checkbox"/>	<input type="checkbox"/>
B	03	A	1	L	1	M	P01

1 - Filler cap Connection

B	Flange with bayonet connection
F	Flange with threaded connection M52x2 Spigot \varnothing 60 (DIN 24557)
R	Flange with threaded connection M52x2

2 - Filter element

00	Without filter (Blank filler cap)
03	3 μ m - Impregnated paper
10	10 μ m - Polyurethane

3 - Seal

A	NBR
----------	-----

4 - Pressurisation valve

0	Without
1	0,3 bar pressurisation valve
2	0,7 bar pressurisation valve

5 - Variants

0	Standard
L	With Padlock tab
C	With Chain external for connection B With Chain internal for connection F-R (with basket only)
D	With Padlock tab and chain external for connection B With Padlock tab and chain internal for connection F-R (with basket only)

6 - Basket

0	Without
1	L= 120 mm

7 - Connection to reservoir

M	Fixing with Metric screws
U	Fixing with UNC screws

8 - Options

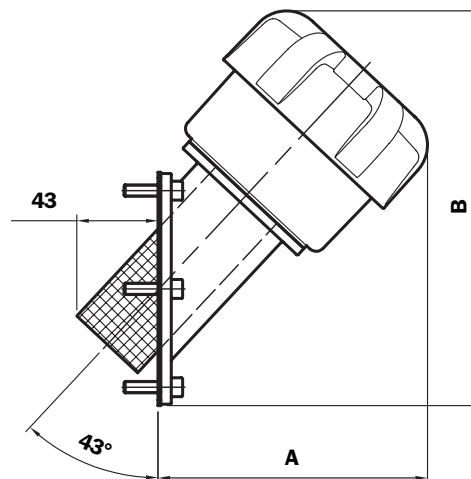
P01	MP Filtri standard
------------	--------------------

Dimensions

TAL 115 1 F



TAL 115



Flow rate with Δp : 0,02 bar

Length 1

Filtration	l/min
3 μm	1600
10 μm	2000

Weight

TAL 115 1: 0,840 Kg

Length 2

Filtration	l/min
3 μm	2150
10 μm	2150

Weight

TAL 115 2: 0,965 Kg

Length	A	B
1	143	209
2	187	257

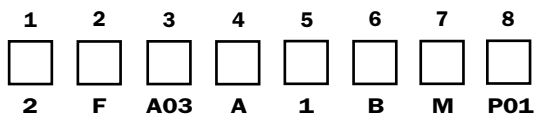
For tank hole see "SML 1" page 22.

Ordering information

Filler cap

TAL115

Example: TAL115



1 - Filler cap length

- 1
- 2

2 - Connection

- F Flange

3 - Filter element

- A03 3 μm - Microfibre
- L10 10 μm - Impregnated paper

4 - Seal

- A NBR
- V FPM

5 - Basket

- 0 Without
- 1 L= 120 mm

6 - Clogging indicator

- A Without
- B Clogging indicator

7 - Connection to reservoir

- M Fixing with Metric screws
- U Fixing with UNC screws

8 - Options

- P01 MP Filtri standard

Series ATS

Universal adapter for filling to reservoir

Possible use with oil filter/air breather filler caps

type:

- TA 80

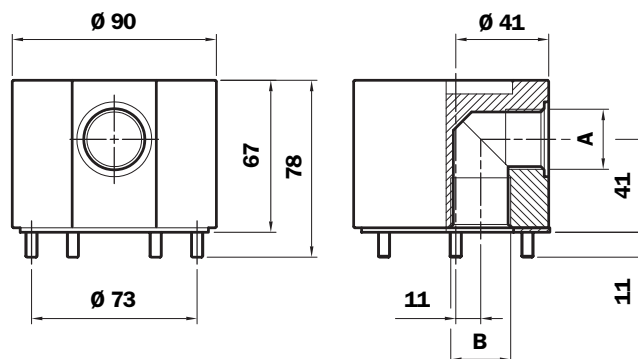
- TAP 90

- TAP 115

- SCS 100 F

Dimensions

Adapter for Filler and breather plugs



ATS (Materials)

1 - Adapter: Anodised Aluminium

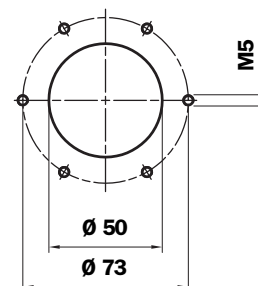
2 - Screws: Steel

3 - Seals: NBR
FPM
Cork Gasket

Weight

ATS: 1 Kg

Reservoir holes



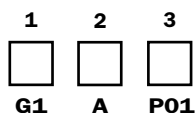
Connection	A	B
G1	G 3/4"	G 3/4"
G2	SAE 12	1 1/16" 12 UN

Ordering information

Adapter for filler caps

ATS 1

Example: ATS 1



1 - Connection

G1	G 3/4"
G2	SAE 20 (1 1/16" 12 UN)

2 - Seal

A	NBR
B	Cork gasket
V	FPM

3 - Options

P01	MP Filtri standard
-----	--------------------