



Product Tech News

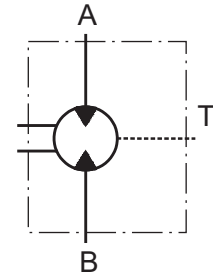
Hydraulic motors type MAP28

Heavy duty axial piston fixed displacement motor



APPLICATION

- Conveyors
- Metal working machines
- Machines for agriculture
- Road building machines
- Mining machinery
- Food industries
- Special vehicles
- Plastic and rubber machinery etc.



drain line always should be open

OPTIONS

- Swash plate
- Flange mount
- Side ports
- Shafts- splined
- High pressure ports

EXCELLENCE

- High starting torque
- Smooth low - speed operation
- Compact design
- Long service life
- High power density

SPECIFICATION DATA

Type	MAP 22	MAP 28
Displacement, cm. ³ /rev. [in. ³ /rev.]	22.15 [1.35]	28.47 [1.74]
Max. Speed, [RPM]	Cont. 4200 Int* 4700	Cont. 4200 Int* 4700
Max. Torque, Nm [lb-in]	Cont. 123 [1088] Int** 148 [1310]	Cont. 159 [1407] Int** 190 [1682]
Output, kW [HP]	Cont. 37 [50] Int** 54 [72]	Cont. 48 [64] Int** 70 [94]
Max. Pressure bar [PSI]	Cont. 350 [5080] Int** 420 [6100]	Cont. 350 [5080] Int** 420 [6100]
Max. Oil Flow, lpm [GPM]	Cont. 93 [24.6] Int* 104 [27.5]	Cont. 120 [31.7] Int* 134 [35.4]
Permissible shaft load daN [lb]	axial Fa=200 [450] radial on request	
Min. speed [RPM]	500	
Max. Pressure in Drain Line, bar [PSI]	5 [70]	
Weight kg [lb]	11.3 [24.9]	

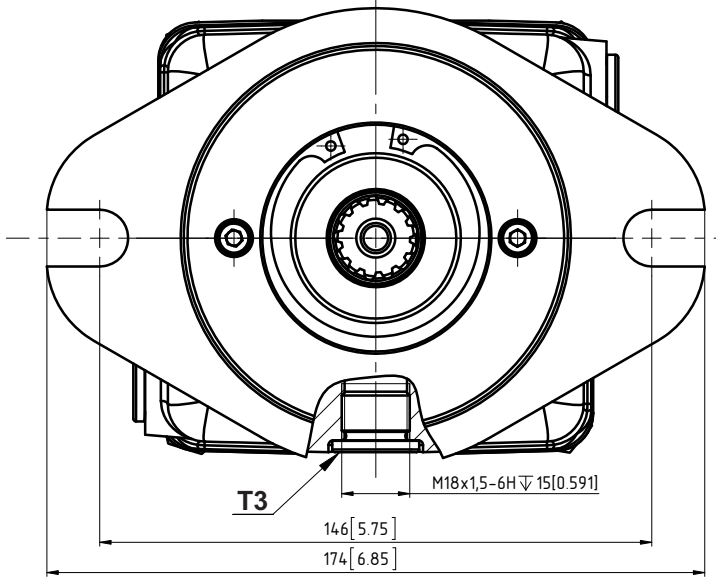
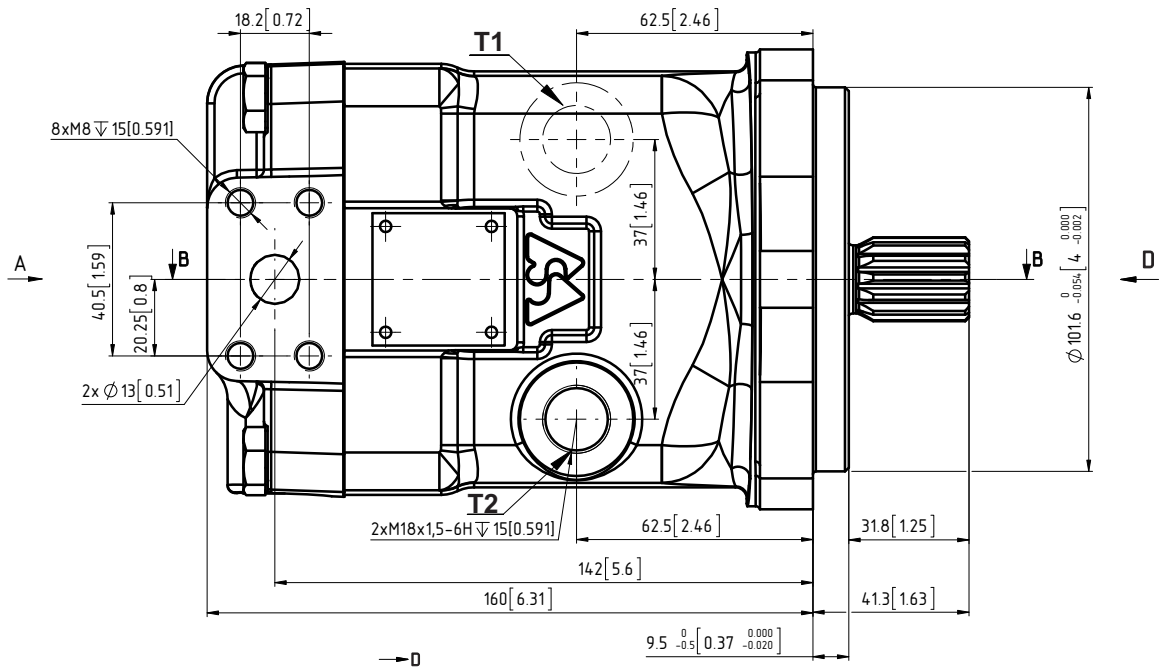
* Intermittent speed (flow) is for pressure up to 150[2200] bar[PSI].

** Intermittent load: the permissible values may occur for max. 10% of every minute.

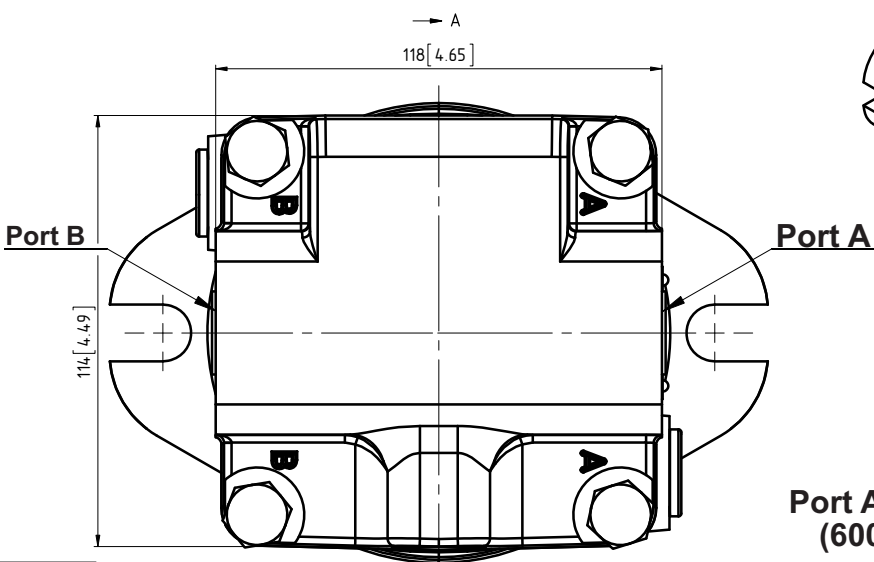
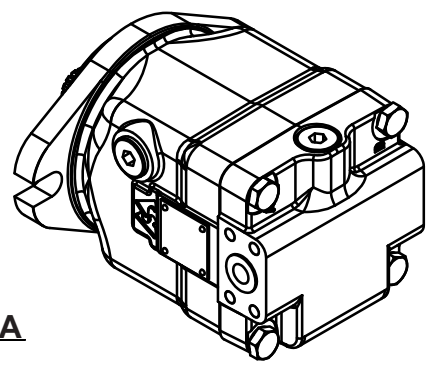
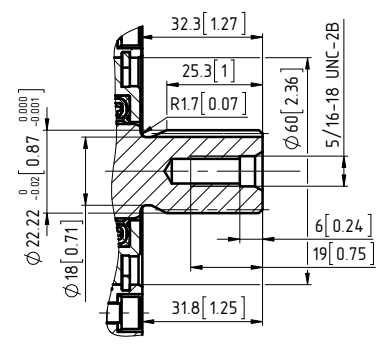
1. For continuous operations continuous the recommended output power should not be exceeded.
2. Recommended filtration is per ISO 4406 cleanliness code 18/16/13 or better. This filtration corresponds to SAE AS 4059 8A/7B/7C. A nominal filtration 10 micron or better.
3. Recommend using of a premium quality, anti-wear type mineral based hydraulic oil, HLP(DIN51524) or HM(ISO6743/4).
4. Recommended oil viscosity 15...30 cSt or less.
5. Recommended maximum system operating temperature is 180°F [82°C].
6. To ensure optimum motor life fill with fluid prior to loading and run at moderate load and speed for 10-15 minutes.

DIMENSIONS - MAP

SAE B 2-Bolt flange,
spigot diameter 101,6 mm [4 in] - BC 146 mm [5.75 in]



Shaft End GD
13T 16/32 DP ANSI B92.1-1976
B-B



Connections

Port A,B SAE 1/2 in - Metric thread
(6000 psi) high pressure series

T1,T2,T3 Drain or oil filling port
M18x1,5 with 15 [0,591] deep



ORDER CODE

	1	2	3	4	5	6	7	8	9	10	11	12	13	14	15
M A P														/	

Pos.1 - Mounting Flange

B - SAE B - 2-Bolt flange
spigot diam. 101,6 mm [4 in] - BC 146 mm [5.75 in]

Pos.2 - Port type

omit - Side ports on opposite sides
T* - Twin (Two) side ports on one side
E* - Rear ports

Pos.3 - Displacement code

22 - 22.15 cm.³/rev. [1.35 in.³/rev.]
28 - 28.47 cm.³/rev. [1.74 in.³/rev.]

Pos.4 - Shaft Extensions

GD - $\varnothing 22,225$ mm [$\varnothing 7/8$ in] spline, SAE version
13T Splined ANSI B92.1-1970, 16/32
SF* - $\varnothing 25,4$ mm [$\varnothing 1$ in] spline, metric version
15T Splined ANSI B92.1-1970, 16/32
CK* - $\varnothing 22,22$ [$\varnothing 7/8$ in] straight cylindrical, metric
CL* - $\varnothing 25$ [$\varnothing 0.984$ in] straight cylindrical, metric
KB* - $\varnothing 21,774$ [$\varnothing 0.857$ in] tapered 125:1000, metric

Pos.5 - Improve radial loads

omit - Standard bearing
N* - Heavy duty bearing

Pos.6 - Ports

omit - 2xSAE 1/2 in PSI6000, metric, M18x1,5-6H
2* - 2xG1/2, G1/2
3* - 2xM22x2, M18x1,5-6H
4* - 2x7/8-12 UNF Ports, 3/4-16 UNF
5 - 2xSAE 1/2 in PSI6000, 3/4-16 UNF

Pos.7 - Shaft Seal, corrosion resistant seal surface

omit - NBR seal type material
V - FKM seal type material
C* - Corrosion resistant bushing with NBR seal
VC* - Corrosion resistant bushing with FKM seal

Pos.8 - Integrated valves

omit - none
DR* - Dual crossover relief Valve
PR* - Single crossover relief Valve
FL* - Flush Valve
PU* - Purge Valve

Pos.9 - Pressure setting of Integrated valves

omit - none
250* - 250 bars

Pos.10 - Flow setting of Integrated valves

omit - none
L5* - 5 liter/min

Pos.11 - Special Features

omit - none
T* - Tacho connection
RS* - Speed Sensor
R2S* - Speed Sensor Two directional

Pos.12 - Type of Speed Sensor

omit - none
(P)* - PNP type of RS sensor without cable
(N)* - NPN type of RS sensor without cable
(P1)* - PNP type with cable's length 1 meter
(P5)* - PNP type with cable's length 5 meters
(N1)* - NPN type with cable's length 1 meter
(N5)* - NPN type with cable's length 5 meters

Pos.13 - Paint and Coating

omit - no Paint or Coating
P** - Painted
PC** - Corrosion Protected Paint
Ni* - Nickle Coating
Cr* - Chrome Coating

Pos.14 - Special unit

omit - none

We are open for modification upon your request.

Pos.15 - Design Series

omit - Factory specified

*Under development

**Color at customer's request

The hydraulic motors are mangano phosphatized as standard.



SCAN ME

The information placed at your disposal
in this brochure can be changed without
any notification.
Please be sure that your copy is the newest one.

M+S HYDRAULIC

68, Kozloduy St., 6100 Kazanlak, Bulgaria
Tel.: ++359 431 65167
Fax: +359 431 64114
E-Mail: msh@ms-hydraulic.com