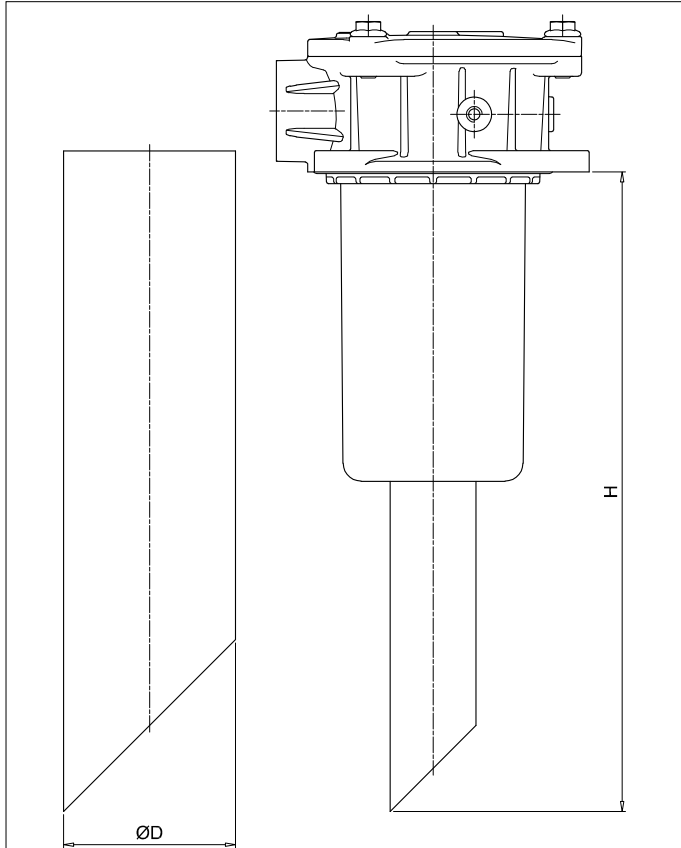


# Accessories

## STEEL EXTENSION TUBE



Configuration example:

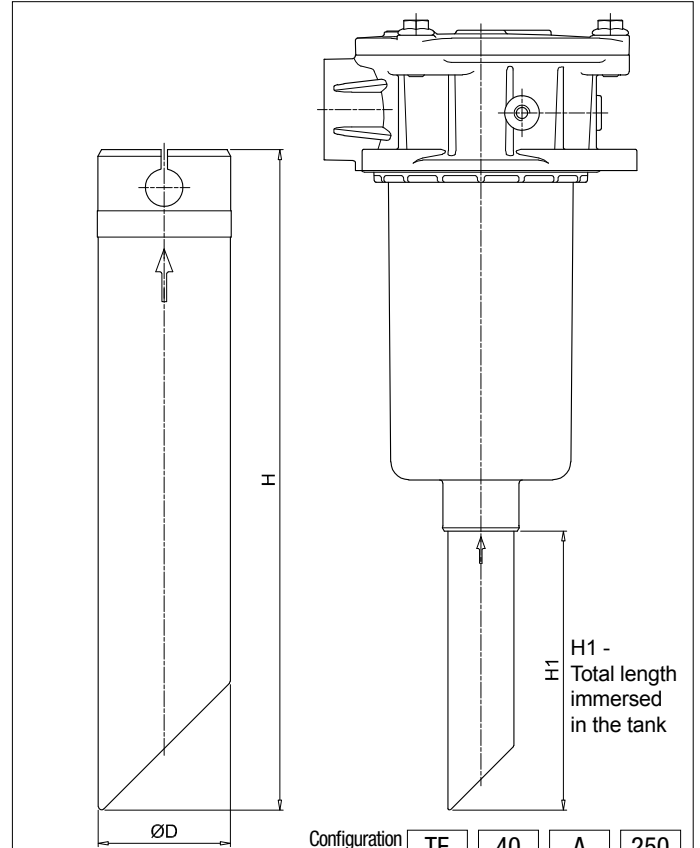
MPF191 2 A F1 A10 H B S60

Length	H [mm]
S30	300
S35	350
S40	400
S45	450
S50	500
S60	650
S70	700
S80	800
S90	900

COMPATIBILITY TABLE

Filter series	Filter size				Filter length	$\varnothing D$ [mm]	
	191	192	194	52		65	
MPF	400	410	450	451	2	•	
					1	•	
	750	1	2		•		
			3		•		

## NYLON EXTENSION TUBE



Configuration example:

TE 40 A 250

Series

**TE**

 Size  $\varnothing D$  [mm]

**25** 25

**32** 32

**40** 40

Material

**A** Nylon

Length

**200** 200

**250** 250

**300** 300

**350** 350

**400** 400

**450** 450

**500** 500

H [mm]

**200** 200

**250** 250

**300** 300

**350** 350

**400** 400

**450** 450

**500** 500

H1 [mm]

**174** 174

**224** 224

**274** 274

**324** 324

**374** 374

**424** 424

**474** 474

COMPATIBILITY TABLE

Filter series	Filter size			Filter length	TE25	TE32	TE40		
MPF - MPFX	30			1	•				
MPF	100	104	110	2		•			
				3			•		
				4					
				1					
MPFX	100	104	110	2			•		
				3					
				4					
				1					
MPF - MPFX	181	182	184	2			•		
MPT - MPTX	025		027		1				
	MPT	101	104	110	114	120	2	•	
							3		
MPTX	101	104	110	114	120	1			
						2			
						3			
						4			

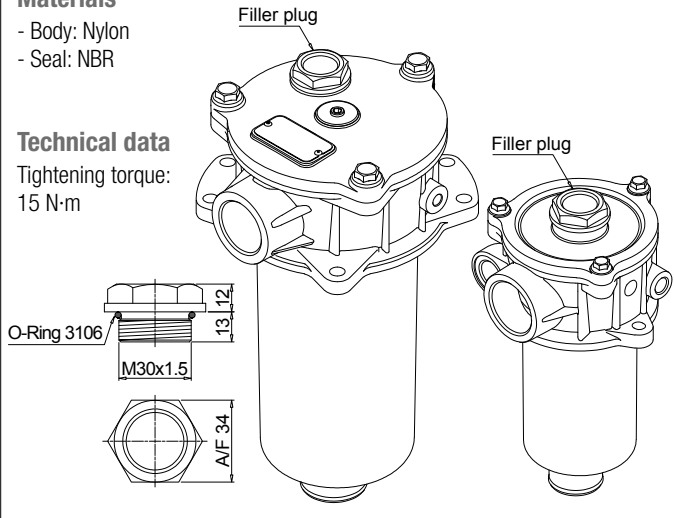
## FILLER PLUG

### Materials

- Body: Nylon
- Seal: NBR

### Technical data

Tightening torque:  
15 N·m



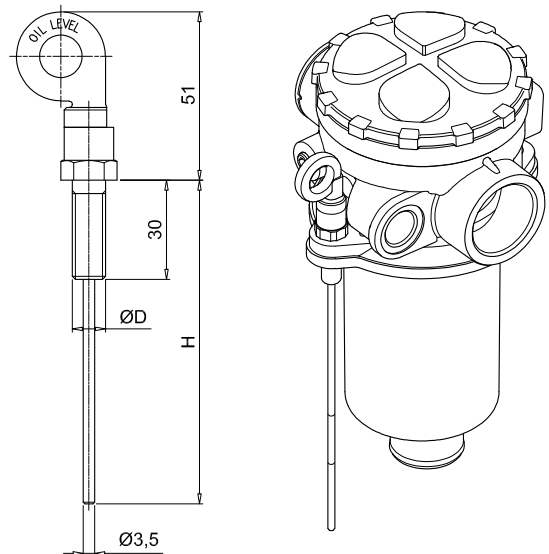
## DIPSTICK

### Materials

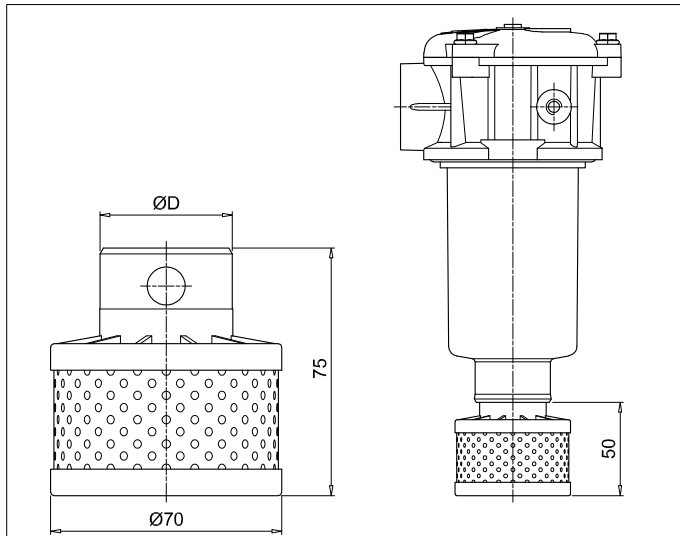
- Screw: phosphatized steel
- Stick: phosphatized steel
- Handle: Nylon

### Technical data

Working temperature:  
From -25 °C to +110 °C



## DIFFUSER WITH FAST LOCK CONNECTION



Configuration example: **DFS** **32** **A** **250**

Series	<b>DFS</b>
Size	$\varnothing D$ [mm]
<b>32</b>	32
<b>40</b>	40
Version	<b>A</b> Standard
Length	<b>075</b> Standard

### COMPATIBILITY TABLE

Filter series	Filter size					Filter length	DFS32	DFS40
	100	104	110	114	120			
MPF	100	104	110	114	120	1	•	
						2		
						3		•
						4		•
MPFX	100	104	110	114	120	1		•
						2		•
						3		•
						4		•
MPT	101	104	110	114	120	1	•	
						2		
						3		•
						4		•
MPTX	101	104	110	114	120	1		•
						2		•
						3		•
						4		•

Configuration example:

**DPT** **20** **M10** **A** **P01**

Series	<b>DPT</b>
Length	H [mm]
<b>15</b>	134
<b>20</b>	184
<b>25</b>	234
<b>30</b>	284
<b>35</b>	334

**Fastening**  
**M8** Fastening with screws  $\varnothing D = M8$   
**M10** Fastening with screws  $\varnothing D = M10$

**Seals**  
**A** NBR  
**V** FPM

**Execution**  
**P01** MP Filtri standard  
**Pxx** Customized